

AVENGER SERIES

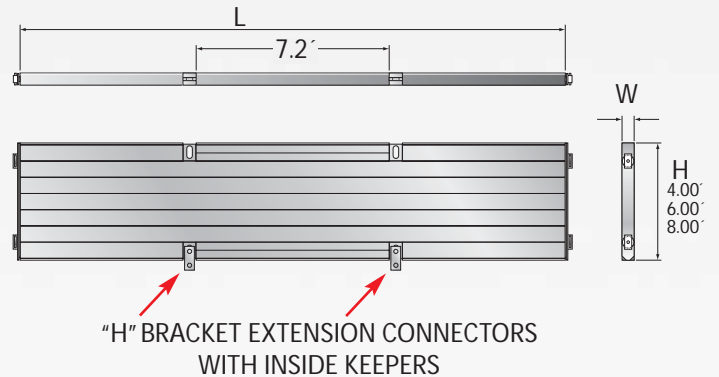
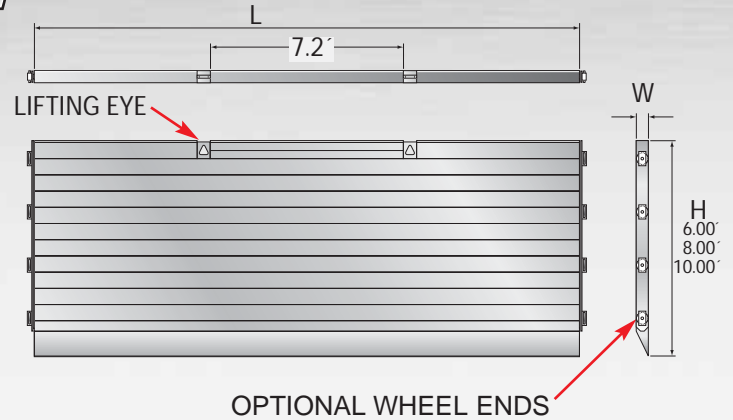
FEATURING

NEW!

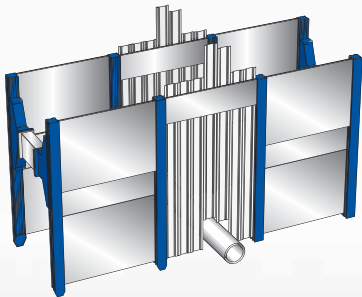
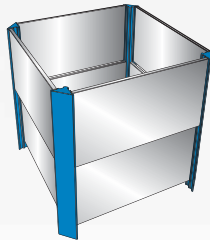
STRIKE PLATE™ TECHNOLOGY

STRIKE PLATE™ with new "cutting edge" panel technology, withstands forces applied from all directions!

Proven **high strength and light weight** design features provide tight shoring, safety and containment with ease of handling. Optional Wheel Ends add to the already time and cost saving benefits.



Small Rectangular Pit
closed all four sides



Linear Tight Shoring
System utilizing in line
Utility Crossing Frame

Extension panels work efficiently to increase your pit depth and provide an advantage in step by step procedures.

Utilizing pins, fast and easy connecting "H" brackets allow for safe, secure handling of panels without special tools.



To find out if this system is applicable to your project just contact an experienced American Shoring specialist!

**AMERICAN
SHORING INC.**

1.800.407.4674
www.americanshoring.com