

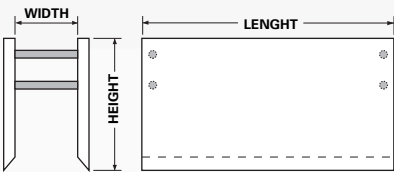
5" Wall Aluminum Trench Box

5" Medium Duty Aluminum Trench Shield

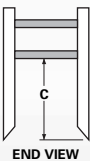
- ★ Professional Engineer Certified
- ★ Constructed of 6061-T6 aluminum alloy
- ★ 5" wall thickness standard (other wall thicknesses available)
- ★ Utilizes 4" schedule 40 or 5" schedule 80 pinned in place steel pipe spreaders
- ★ Interchangeable widths
- ★ Lifting lugs built into sidewalls
- ★ Stackable
- ★ External hardwood top protection



MEDIUM DUTY SINGLE WALL ALUMINUM TRENCH BOX WITH 5" THICKNESS



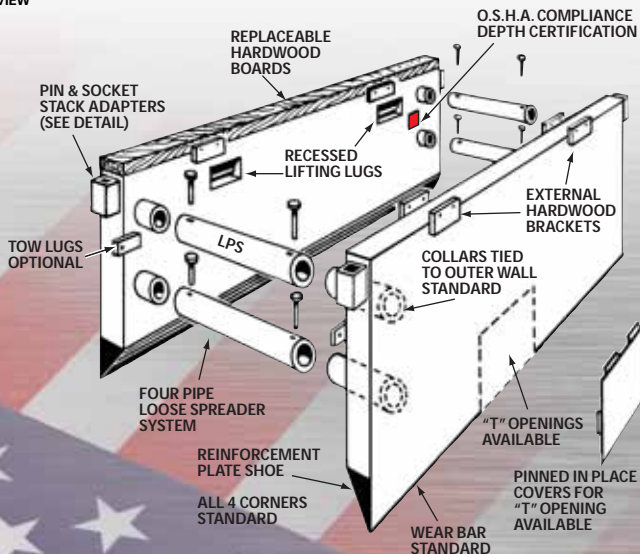
DROP BOX
PIPE CLEARANCE
BOTH ENDS FOR
REPAIR WORK



CLEARANCES

- 4' - 22"
- 6' - 40"
- 8' - 48"
- 10' - 60"

END VIEW



Single Wall

5" ALUMINUM TRENCH- SINGLE SIDEWALL SHALLOW CUT

MODEL	HEIGHT	LENGTH	WEIGHT	APPROXIMATE DIGGING DEPTH (FT.) & SOIL TYPE			
				A 25	B 45	C 60	C 80
5ASW-46	4'	6'	575#	52	31	24	19
5ASW-48	4'	8'	700#	48	28	22	18
5ASW-410	4'	10'	850#	33	20	16	13
5ASW-412	4'	12'	975#	19	12	10	9
5ASW-66	6'	6'	800#	48	28	22	18
5ASW-68	6'	8'	950#	43	26	20	16
5ASW-610	6'	10'	1150#	28	17	14	12
5ASW-612	6'	12'	1375#	24	15	12	10
5ASW-86	8'	6'	975#	33	20	16	13
5ASW-88	8'	8'	1200#	28	17	14	12
5ASW-810	8'	10'	1375#	24	15	12	10
5ASW-812	8'	12'	1600#	24	15	12	10
5ASW-1010	10'	10'	1875#	33	20	16	13
5ASW-1012	10'	12'	2470#	28	17	14	12

*** PSF Ratings and depths are based on short term exposure with excavation open a period of time equal to 24 hours or less. Consult manufacturer should long term exposure be required. Depths are based on A, B, C soil types as described in OSHA's 29 CFR Part 1926 Subpart P, October 31, 1989 with Type A not exceeding 25 PSF per foot of depth, Type B not exceeding 45 PSF per foot of depth, Type C-60 not exceeding 60 PSF per foot of depth and Type C-80 not exceeding 80 PSF per foot of depth. Determine actual soil pressures and consult Manufacturers Tabulated Data prior to each use.



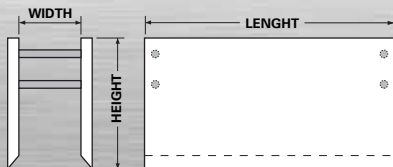
Double Wall

5" ALUMINUM TRENCH- DOUBLE SIDEWALL

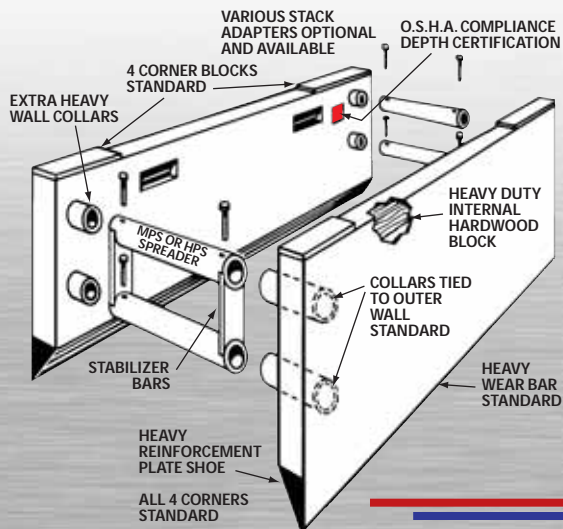
DEEP CUT APPROXIMATE DIGGING DEPTH (FT.)

MODEL	HEIGHT	LENGTH	WEIGHT	APPROXIMATE DIGGING DEPTH (FT.) & SOIL TYPE			
				A 25	B 45	C 60	C 80
5ADW-46	4'	6'	700#	76	44	34	27
5ADW-48	4'	8'	900#	72	42	32	25
5ADW-410	4'	10'	1100#	57	33	26	21
5ADW-412	4'	12'	1250#	43	26	20	16
5ADW-416	4'	16'	1700#	38	23	18	15
5ADW-418	4'	18'	1900#	21	13	11	9
5ADW-420	4'	20'	2100#	16	11	9	8
5ADW-66	6'	6'	1000#	62	36	28	22
5ADW-68	6'	8'	1250#	50	30	23	18
5ADW-610	6'	10'	1500#	43	26	20	16
5ADW-612	6'	12'	1800#	36	22	17	14
5ADW-616	6'	16'	2400#	28	17	14	12
5ADW-618	6'	18'	2600#	26	16	13	11
5ADW-620	6'	20'	2800#	24	15	12	10
5ADW-86	8'	6'	1200#	60	35	27	22
5ADW-88	8'	8'	1500#	57	33	26	21
5ADW-810	8'	10'	2000#	52	31	24	19
5ADW-812	8'	12'	2250#	43	26	20	16
5ADW-816	8'	16'	3000#	36	22	17	14
5ADW-818	8'	18'	3400#	23	15	12	10
5ADW-820	8'	20'	3800#	21	13	11	9

ASK US ABOUT REMOVABLE END CLOSURES TO MAKE 3 OR 4 SIDED UNITS



DRAG BOX
FRONT SPREADER
LOWERED FOR BUCKET
CLEARANCE
(FOR PIPE INSTALLATION)



SPREADER SET SELECTION

LPS- Light Pipe Spreaders
5/16" wall steel pipe
4(4") schedule 80 pipes
(Includes pins & keepers)

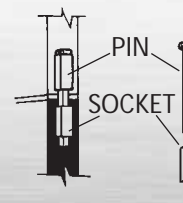
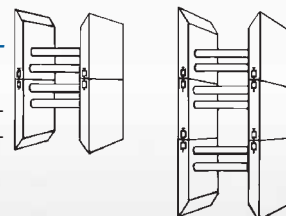
MODEL	WIDTH	WEIGHT
LPS-4-24	24"	150#
LPS-4-30	30"	180#
LPS-4-36	36"	210#
LPS-4-42	42"	240#
LPS-4-48	48"	270#
LPS-4-54	54"	300#
LPS-4-60	60"	330#
LPS-4-72	72"	390#
LPS-4-84	84"	450#
LPS-4-96	96"	480#
LPS-4-120	120"	540#

MPS- Medium Pipe Spreaders
3/8" wall steel pipe
4(5") schedule 80 pipes
(Includes pins & keepers)

MODEL	WIDTH	WEIGHT
MPS-4-24	24"	230#
MPS-4-30	30"	275#
MPS-4-36	36"	320#
MPS-4-42	42"	360#
MPS-4-48	48"	400#
MPS-4-54	54"	440#
MPS-4-60	60"	480#
MPS-4-72	72"	650#
MPS-4-84	84"	750#
MSP-4-96	96"	850#
MPS-4-120	120"	1025#
MPS-4-132	132"	1150#
MSP-4-144	144"	1250#

SIDEWALL STACKING KIT

OPTIONAL SIDE WALL STACKING DETAIL



SOCKET AND PIN SET
(INCLUDES 8 SOCKETS
AND 4 PINS)

AMERICAN SHORING INC.

1.800.407.4674
www.americanshoring.com