

Mighty Lite[®] Erector Series

*Mighty Lite[®] The Erector Series
Available in 2', 4', 6' or 8'
high panels*

- ★ *Professional Engineer Certified*
- ★ *Constructed of 6061-T6 aluminum alloy*
- ★ *Transportable in a pickup truck, van, or ASI shoring trailer*
- ★ *Unload and assemble by hand*
- ★ *Choice of heights:
(2', 4', 6' or 8' high panels)*

Differences from the original Mighty Lite[®]

- ★ *Fewer components required*
- ★ *Dual purpose end posts accept either panels, screwjacks or spreaders- allowing 2, 3 or 4-sided shields using the same components*
- ★ *45° Heavy duty top lifting lugs with 1" pins*
- ★ *Increased panel lengths*
- ★ *Greater depth ratings*
- ★ *Flexibility of design and configurations*

Full Featured Modular Shoring



Two sided configuration
Shown with our NiCad plated screw jacks



Three Sided Configuration
Uses same dual purpose end post for
end panels or side panels



Four sided configuration

**MIGHTY LITE® ERECTOR SERIES
PANEL SELECTION**

MODEL	HEIGHT	LENGTH	WEIGHT	APPROXIMATE DIGGING DEPTH (FT.) & SOIL TYPE			
				A	B	C	C
MLES-22	2'	2'	30#	124	71	54	42
MLES-23	2'	3'	42#	112	64	49	38
MLES-24	2'	4'	53#	100	57	44	34
MLES-25	2'	5'	65#	96	55	42	33
MLES-26	2'	6'	77#	92	53	41	32
MLES-27	2'	7'	90#	72	42	32	25
MLES-28	2'	8'	102#	52	31	24	19
MLES-210	2'	10'	125#	36	22	17	14
MLES-212	2'	12'	150#	28	17	14	12
MLES-214	2'	14'	175#	20	13	11	9
MLES-216	2'	16'	198#	14	10	8	CUSTOM

OTHER SIZES ON REQUEST



**DUAL PURPOSE CORNER
POSTS**

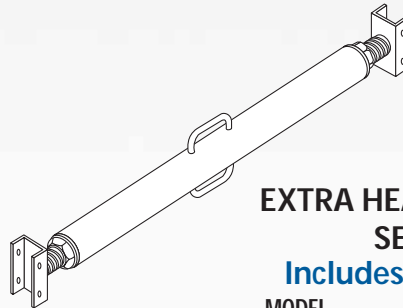
MODEL	HEIGHT	WEIGHT (EACH)
ECP-2	2'	18#
ECP-4	4'	35#
ECP-6	6'	52#
ECP-8	8'	68#
ECP-10	10'	85#



*Adjustable NiCad
plated screw jacks*



*Also available with
adjustable pipe
spreaders*



**EXTRA HEAVY SCREW JACK
SELECTION**

Includes Pins & Keepers

MODEL	LENGTH	WEIGHT (EACH)
ESJ-23	24" - 36"	25#
ESJ-35	36" - 60"	38#
ESJ-57	60" - 84"	42#
ESJ-79	84" - 108"	48#

Other widths available by request.
Threaded portion of jacks are NiCad
plated to resist corrosion.

Each strut is held in place with
(4) 5/8" pins & keepers.

OPTIONAL ACCESSORIES

E.LEG	ADJUSTABLE LEG KIT
E.WK	TOP WHEEL KIT
TECP	"T" CONNECTION POSTS 2', 4', 6', 8' & 10'
ETCAP	SOLID TOP CAP
EKE	SOLID BOTTOM CUTTING EDGE
4ECP	4 WAY CONNECTION POSTS
ENS6	ERECTOR SERIES NYLON SLING- 6'
ENS8	ERECTOR SERIES NYLON SLING- 8'



**AMERICAN
SHORING INC.**

1.800.407.4674
www.americanshoring.com