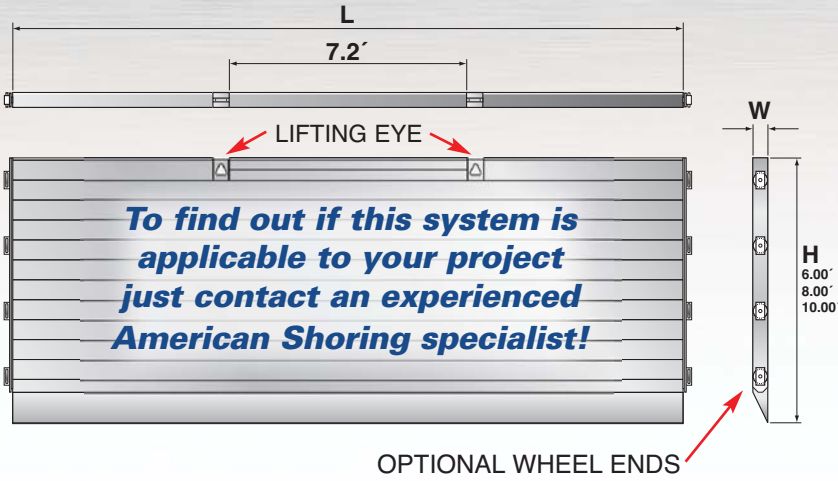


AVENGER SERIES

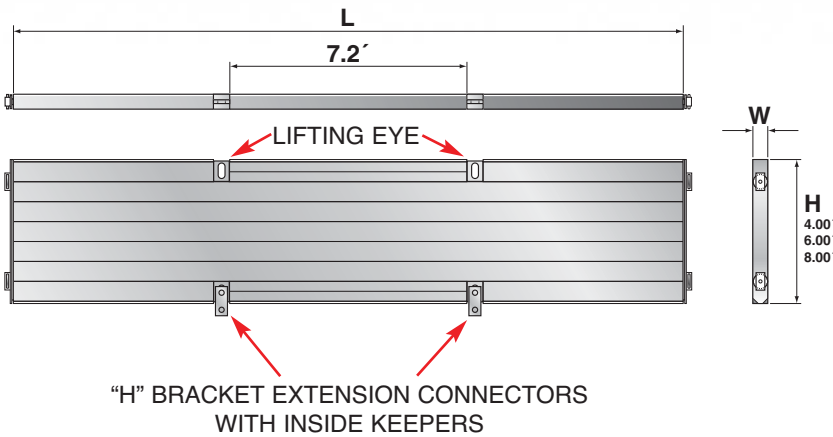
Featuring

STRIKE PLATE TECHNOLOGY

STRIKE PLATE™ with new "Cutting Edge" panel technology, withstands forces applied from all directions!



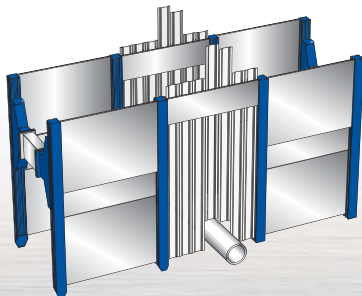
Proven high strength and light weight, the design features provide tight shoring, safety and containment with ease of handling. Optional Wheel Ends add to the already time and cost saving benefits.



Extension panels work efficiently to increase your pit depth and provide an advantage in step by step procedures.



Utilizing pins, fast and easy connecting "H" brackets allow for safe, secure handling of panels without special tools.



Linear Tight Shoring System utilizing in line Utility Crossing Frame



AMERICAN SHORING INC.
1.800.407.4674
www.americanshoring.com