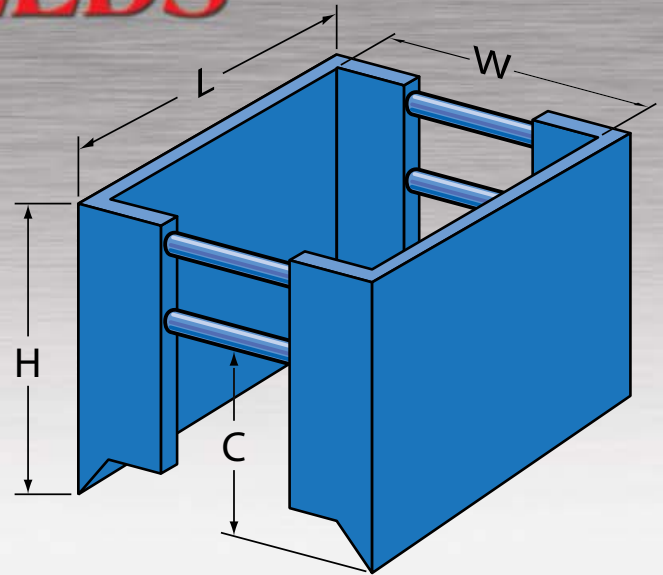


MANHOLE SHIELDS

3" SINGLEWALL LIGHT STEEL MANHOLE SHIELDS

MODEL (HT. X LG)	SHIELD CAPACITY (PSF)	DEPTH OF CUT (FT.) SOIL TYPE			PIPE CLEARANCE (IN.)	WEIGHT (LBs)
		B	C-60	C-80		
3LMS-SW-48	780	17	13	10	22	1800
3LMS-SW-410	780	17	13	10	22	2899
3LMS-SW-412	480	11	8	6	22	3325
3LMS-SW-68	960	21	16	12	36	2650
3LMS-SW-610	780	17	13	10	36	3000
3LMS-SW-612	540	12	9	7	36	3350
3LMS-SW-88	840	19	14	10	52	4900
3LMS-SW-810	660	15	11	8	52	5370
3LMS-SW-812	600	13	10	7	52	5940



3" DOUBLEWALL LIGHT STEEL MANHOLE SHIELDS

MODEL (HT. X LG)	SHIELD CAPACITY (PSF)	DEPTH OF CUT (FT.) SOIL TYPE			PIPE CLEARANCE (IN.)	WEIGHT (LBs)
		B	C-60	C-80		
3LMS-DW-48	1500	56	42	31	22	2850
3LMS-DW-410	1380	51	38	28	22	3200
3LMS-DW-412	960	43	32	24	22	3650
3LMS-DW-68	1920	54	40	30	41	3425
3LMS-DW-610	1440	54	40	30	41	3900
3LMS-DW-612	1080	40	30	22	41	4300
3LMS-DW-88	1920	45	37	28	52	5200
3LMS-DW-810	1440	41	33	25	52	5850
3LMS-DW-812	900	35	28	21	52	6875

MANHOLE SPREADER SET 4" SCHEDULE 40 PIPE 4 PIPE SYSTEM

MODEL	INSIDE WIDTH (IN.)	WEIGHT (LBS.)
XLPS-4-48	48"	295#
XLPS-4-72	72"	440#
XLPS-4-96	96"	530#

"M" INCLUDES REQUIRED VERTICAL STABILIZER BARS

ACCESSORIES

STACKING KIT(8) TUBULAR POCKETS & 4 PINS
 CORNER BRACKETS(8) REQUIRED FOR 4-SIDED
 "T" CONNECTION OPENING ...24"X24"
 BOLT-IN DOOR FOR ABOVE

