

The Rolling Strut Advantage™

Rolling Struts™ allow the slide rails to be driven independently as you dig. Solid rollers ride on outer face of the rails and they are guaranteed not to bind like "frame work" or "carts" provided by other manufacturers.

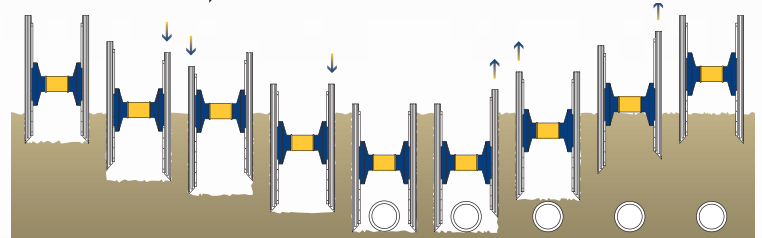
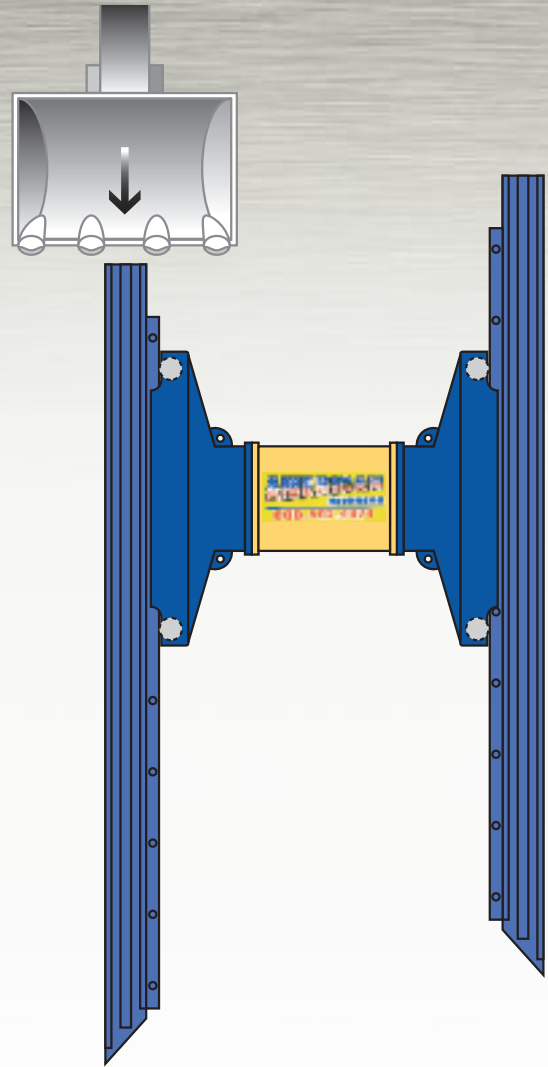
The Rolling Struts keep the Slide Rails apart and parallel to one another- the results: no voids unlike the superceded designs.

Our strong offset design struts offer more boom clearance while digging between bays.

- **One Strut System**
- **Our Entire System Moves**
- **Strongest Rails and Struts in the industry**
- **Maximum Clearances**
- **All new series STRIKE PLATES**
- **Reinforced Panel Designs have optional Wheel Ends**
- **Advance panels by direct bucket contact**
- **Maximum Cantilevers**
- **Parallel Drive- also means:
No Rocking
No Soil Movement**

ALL THIS YET...

- **Competitively Priced**
- **Available for Sale or Rent**
- **P.E. certified to OSHA regulations
site specific engineering available**
- **Field service and/or supervision
with on site assembly and
take down**



IT COULDN'T BE EASIER!

When rolling strut removal is required, just remove top limit pins and pull out...

NO Nuts, Bolts, Wrenches or Mechanics are Required!

Field service and supervision are available. Unique shoring components are only a phone call away!