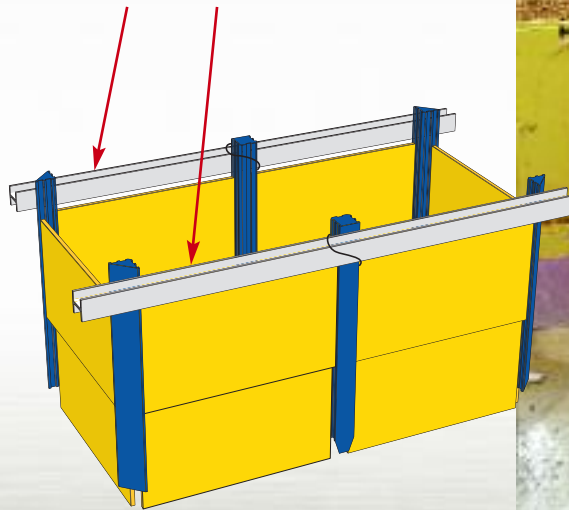




Walers are used for side support when clear span requirements are needed.



Telescoping step down systems using 90° corner posts makes it easy!

AMERICAN SHORING INC.

1.800.407.4674
www.americanshoring.com